

GNSD-10 Adjustable Soft-Down Stay

Downward opening

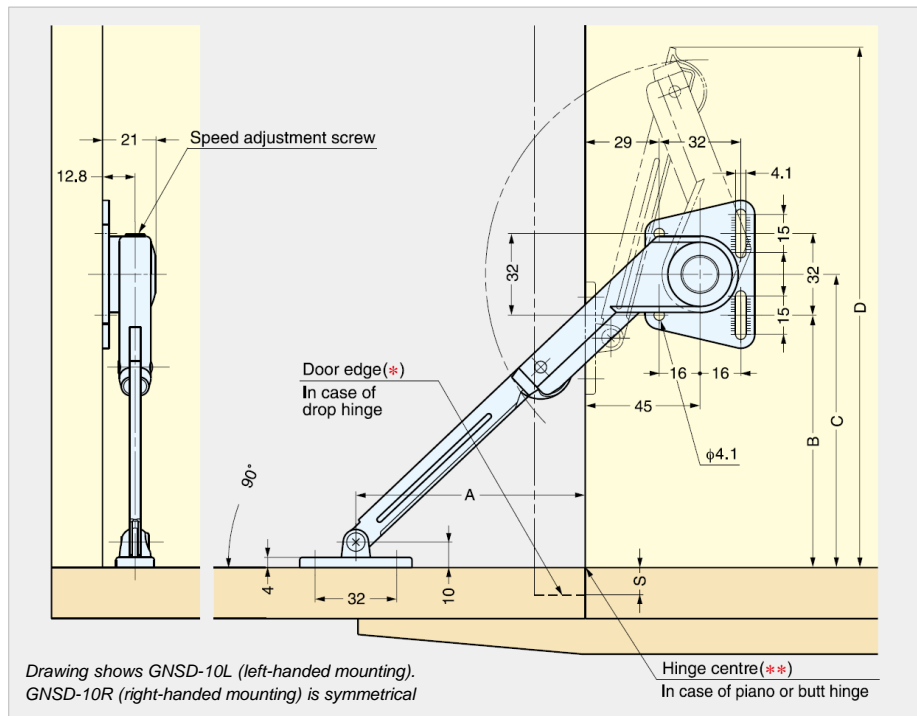
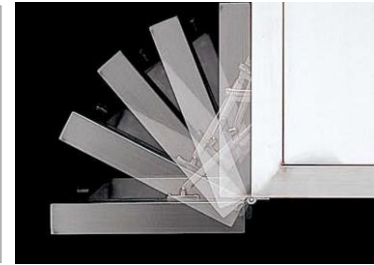
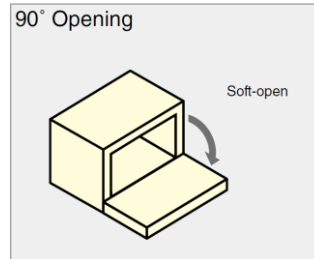
Features

- Soft-closing for downward-opening doors
- Designed to hold door in closed position
- Door opening speed can be adjusted with adjustment screw
- Can be used with piano, butt or concealed hinges
- Passed 30,000 life cycle test
- Torque calculation:
 - Torque = Door height x 1/2 x door weight
 - Per piece : 20 ~ 70 kgf·cm
 - Per pair: 40 ~ 140 kgf·cm



Material

- Zinc alloy steel, bright nickel finish



The distance for A, B, C is measured from "door edge (*)" and "top surface of bottom board" when drop hinges are used, and from "hinge centre (**)" and "top surface of bottom board" when piano or butt hinges are used.

Hinge Type	A	B	C	D
Drop Hinge	97	106-S	122-S	211-S
Piano / Butt Hinge	90	99	115	204

Note: "S" dimension is the overlay distance for drop hinge(s).

Part No.	Type	Maximum Door Moment (per piece)	
GNSD-10R	Right-handed	1.96 ~ 6.9 N.m	20 ~ 70 kgf.cm
GNSD-10L	Left-handed		